

# Installation Guide

## Omada Network Video Recorder

\*Images may differ from actual products.  
©2026 TP-Link 7100002998 REV1.0.0



**Set up with videos:**  
Scan the QR code or visit  
<https://support.omadanetworks.com/video/?category=omada-security-camera>  
to search for the setup video of your product.



### More Resources

Main Site	<a href="https://www.omadanetworks.com/">https://www.omadanetworks.com/</a>
Video Center	<a href="https://support.omadanetworks.com/video/">https://support.omadanetworks.com/video/</a>
Documents	<a href="https://support.omadanetworks.com/document/">https://support.omadanetworks.com/document/</a>
Product Support	<a href="https://support.omadanetworks.com/product/">https://support.omadanetworks.com/product/</a>
Technical Support	<a href="https://support.omadanetworks.com/contact-support/">https://support.omadanetworks.com/contact-support/</a>

### Support

For technical support, user guides, and other information, please visit <https://support.omadanetworks.com/>, or simply scan the QR code.



### Warranty

For details on the warranty period, policy, and procedures, visit <https://support.omadanetworks.com/warranty-services/>.

### Omada NVR Start Guide

For the detailed Omada NVR getting started guide, simply scan the QR code.

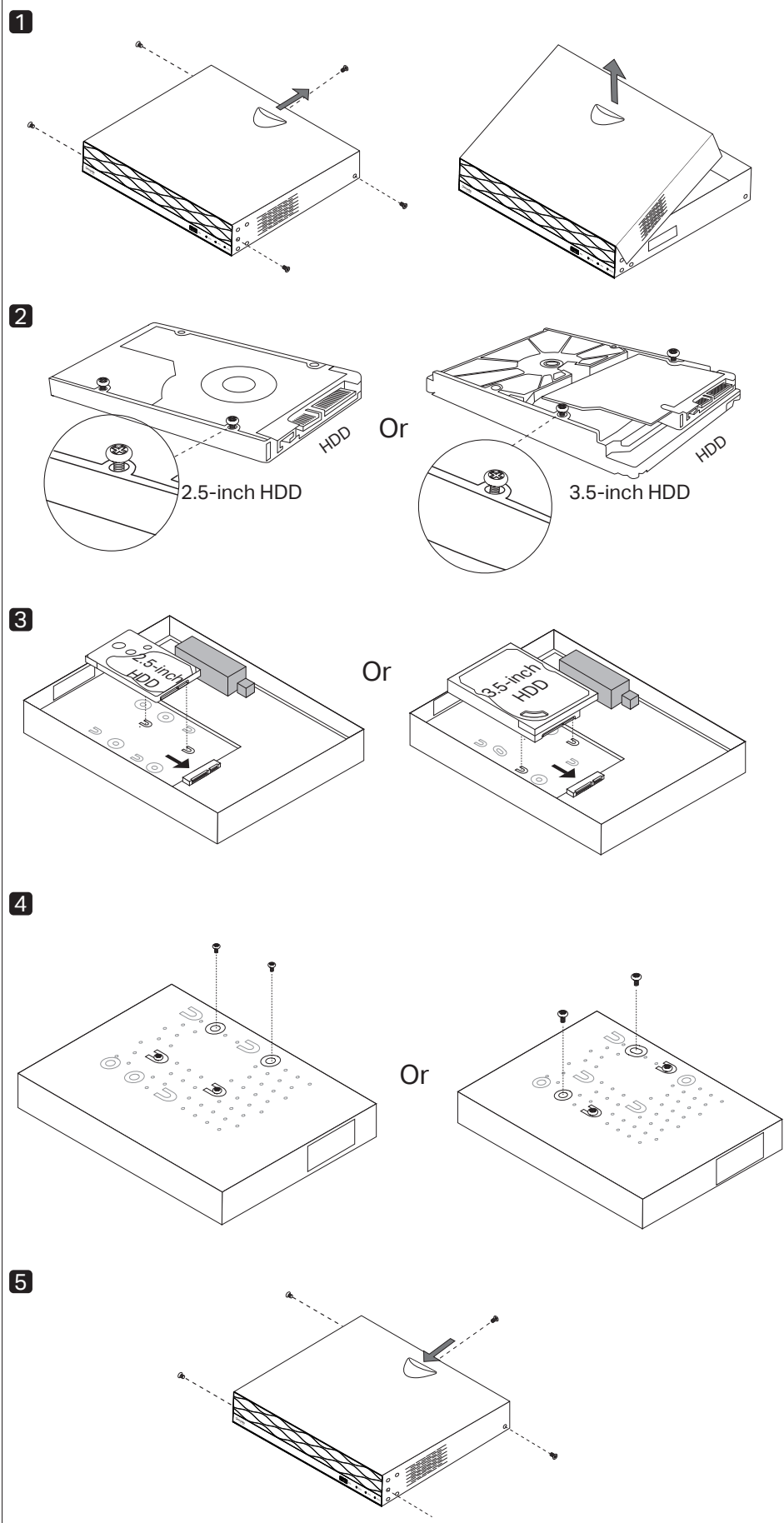


## 1. Hard Drive Installation

A 3.5-inch HDD is pre-installed in the NVR for recording and playback. You can replace the HDD if necessary. It is recommended to use a surveillance-level HDD for optimal performance. Before installation, ensure the network video recorder (NVR) is powered off.

**Caution:** To prevent the hard drive from falling during disassembly, support the hard drive from the bottom while loosening the screws.

### 1-HDD

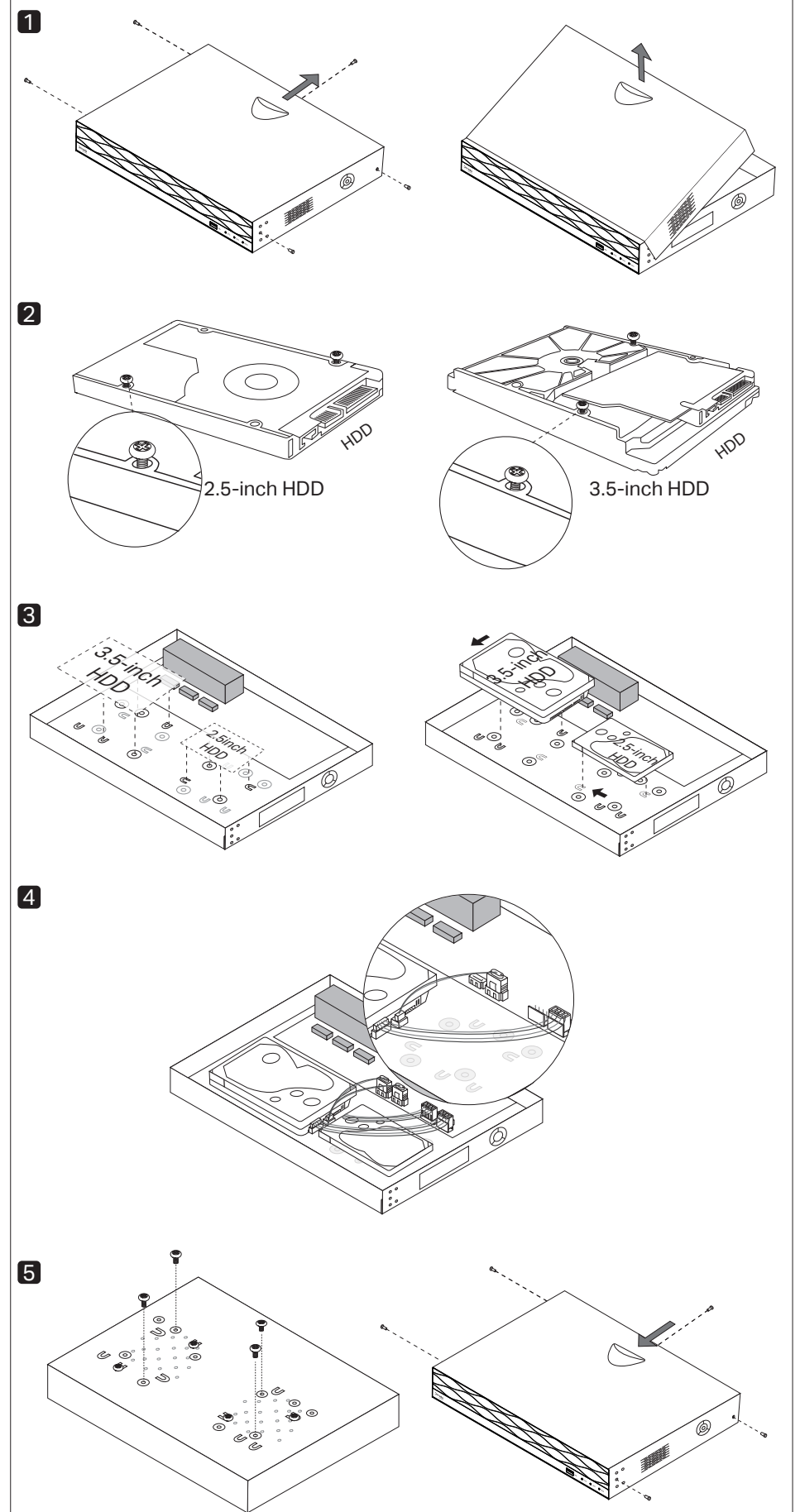


### How to install/replace the hard drive for NVR:

Scan the QR code or visit <https://support.omadanetworks.com/video/?category=omada-security-camera> to search for your product.

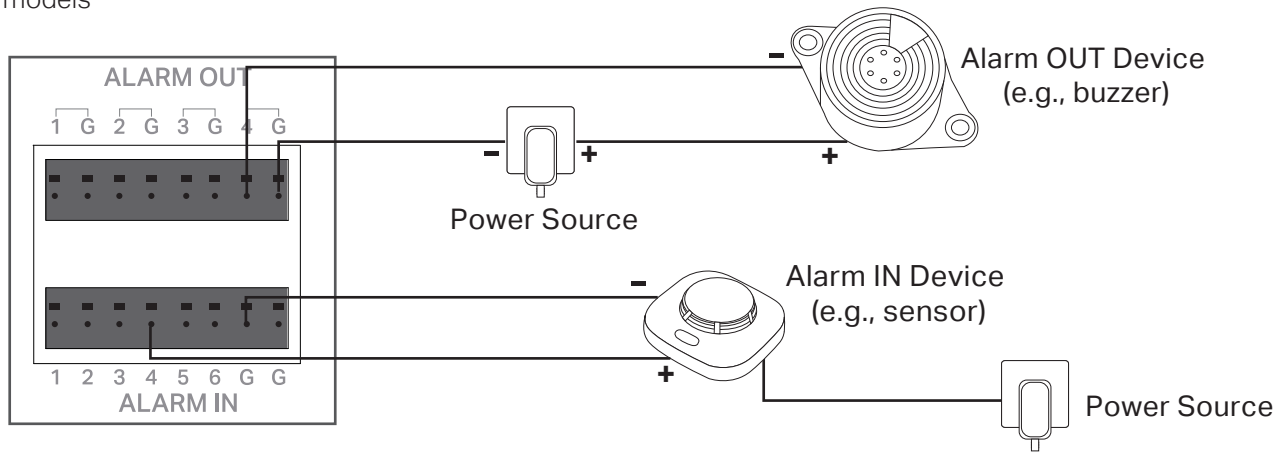


### 2-HDD



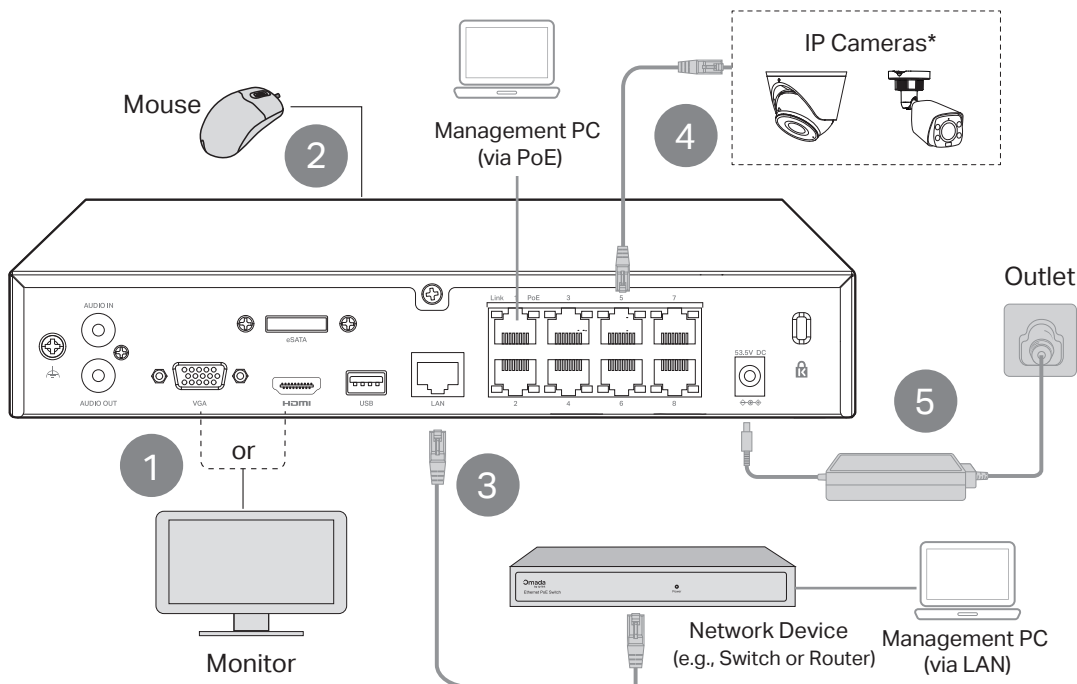
## 2. Connect Alarm Device (Optional)

\*Only for certain models



Scan for More Details

## 3. Configuration



- Follow the steps on the left to connect the hardware, and connect the cameras and NVR to the network.
- Download and launch the Omada Guard app, and then follow the on-screen instructions to scan the device key QR code printed on the NVR or box to initialize the NVR.

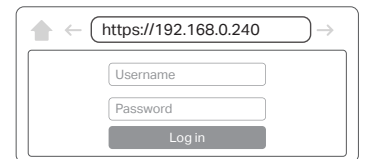


The NVR can also be configured and managed via the GUI and web UI. The default web login address is <https://192.168.0.240> (via LAN) or <https://192.168.253.1> (via PoE). Refer to the product manual for more details on the support website.

Via GUI



Via Web UI (via LAN)



\* How to mount the camera

Refer to the camera's installation guide to mount the camera as needed.

## Safety Information

- This device is restricted to indoor use only.
- Keep the device away from water, fire, humidity or hot environments.
- Do not attempt to disassemble, repair, or modify the device.
- Do not use damaged charger or USB cable to charge the device.
- Do not use any other chargers than those recommended.
- Adapter shall be installed near the equipment and shall be easily accessible.
- Use only power supplies which are provided by manufacturer and in the original packing of this product. If you have any questions, please don't hesitate to contact us.
- The PoE ports shall not be used to charge lithium batteries or devices supplied by lithium batteries.
- Place the device with its bottom surface downward. Install it at stable places, and prevent it from falling.
- The power adapter must be used indoors. Make sure that the temperature of the power adapter is within 0-40°C.
- The plug on the power supply cord is used as the disconnect device, the socket-outlet shall be easily accessible.
- Plug the adapter into the wall outlets with earthing connection through the power supply cord.

This equipment is not suitable for use in locations where children are likely to be present.

### CAUTION!

Avoid replacement of a battery with an incorrect type that can defeat a safeguard. Avoid disposal of a battery into fire or a hot oven, or mechanically crushing or cutting of a battery, that can result in an explosion. Do not leave a battery in an extremely high temperature surrounding environment that can result in an explosion or the leakage of flammable liquid or gas; Do not leave a battery subjected to extremely low air pressure that may result in an explosion or the leakage of flammable liquid or gas.

### CAUTION: Do not ingest battery, Chemical Burn Hazard

This product contains a coin / button cell battery. If the coin / button cell battery is swallowed, it can cause severe internal burns in just 2 hours and can lead to death. Keep new and used batteries away from children. If the battery compartment does not close securely, stop using the product and keep it away from children. If you think batteries might have been swallowed or placed inside any part of the body, seek immediate medical attention.

### CAUTION!

Risk of explosion if the battery is replaced by an incorrect type.



Explanation of the symbol on the product

Warning! This product contains a button cell or coin battery. Avoid ingestion hazard. Death or serious injury can occur if ingested.

## ⚠ WARNING

- INGESTION HAZARD:** This product contains a button cell or coin battery.
- DEATH** or serious injury can occur if ingested.
- A swallowed button cell or coin battery can cause **Internal Chemical Burns** in as little as **2 hours**.
- KEEP** new and used batteries **OUT OF REACH** of **CHILDREN**
- Seek immediate medical attention** if a battery is suspected to be swallowed or inserted inside any part of the body.



- Remove and immediately recycle or dispose of used batteries according to local regulations and keep away from children. Do NOT dispose of batteries in household trash or incinerate.
- Even used batteries may cause severe injury or death.
- Call a local poison control center for treatment information.
- This product includes button/coin cell batteries of type CR1220.
- The nominal voltage of the button/coin cell batteries is +3V.
- Non-rechargeable batteries are not to be recharged.
- Do not force discharge, recharge, disassemble, heat above 60°C/140°F or incinerate. Doing so may result in injury due to venting, leakage or explosion resulting in chemical burns.

Ensure the batteries are installed correctly according to polarity (+ and -). Do not mix old and new batteries, different brands or types of batteries, such as alkaline, carbon-zinc, or rechargeable batteries. Remove and immediately recycle or dispose of batteries from equipment not used for an extended period of time according to local regulations. Always completely secure the battery compartment. If the battery compartment does not close securely, stop using the product, remove the batteries, and keep them away from children.

Please read and follow the above safety information when operating the device. We cannot guarantee that no accidents or damage will occur due to improper use of the device. Please use this product with care and operate at your own risk.

### EU Declaration of Conformity

TP-Link hereby declares that the network video recorder is in compliance with the essential requirements and other relevant provisions of directives 2014/30/EU, 2014/35/EU, 2011/65/EU and (EU)2015/863. The original EU Declaration of Conformity may be found at <https://www.tp-link.com/en/support/ce/>

### UK Declaration of Conformity

TP-Link hereby declares that the network video recorder is in compliance with the essential requirements and other relevant provisions of the Electromagnetic Compatibility Regulations 2016 and Electrical Equipment (Safety) Regulations 2016. The original UK Declaration of Conformity may be found at <https://www.tp-link.com/support/ukca/>